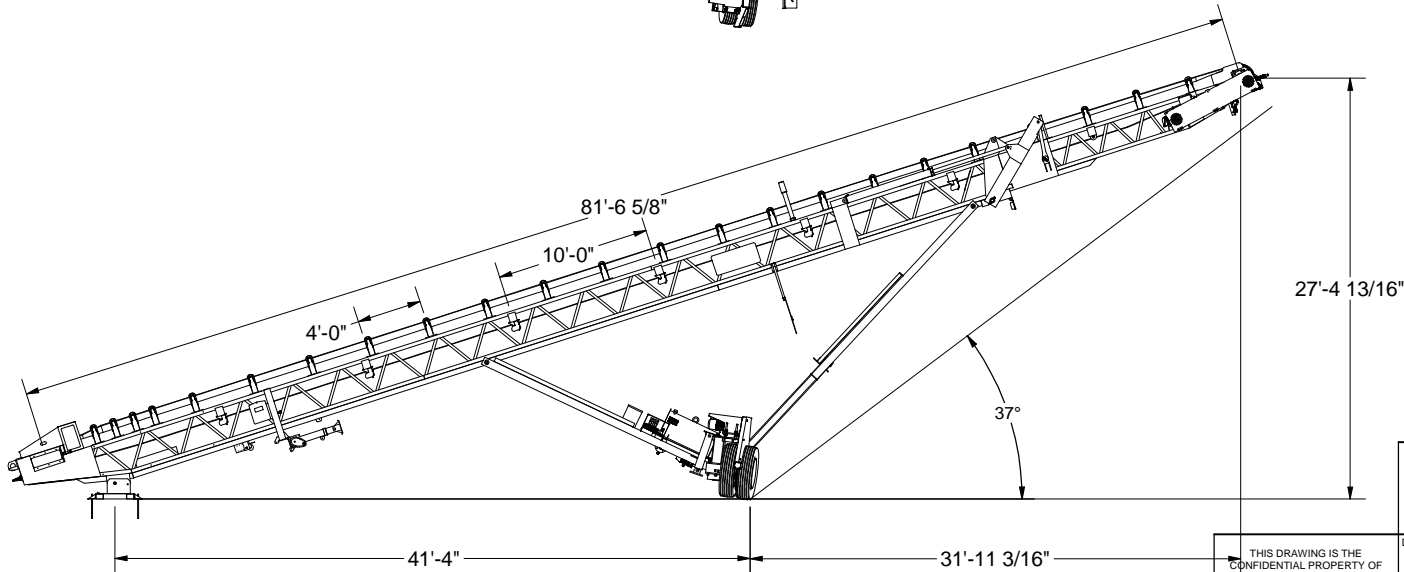
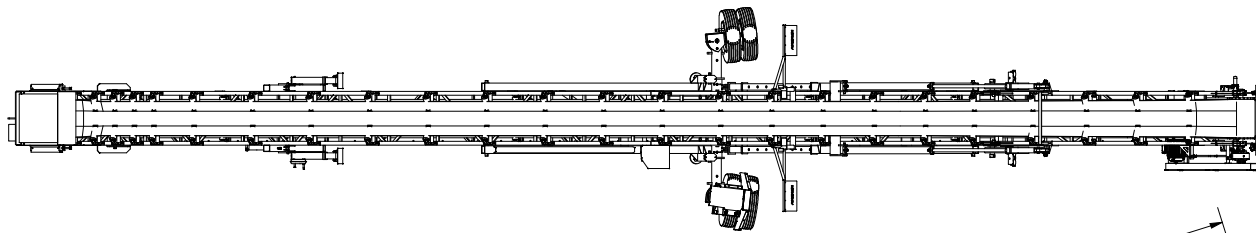
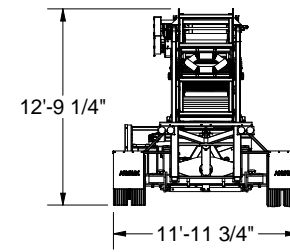


EST. KING PIN WGT. 4260 LBS.

EST. AXLE WGT. 18350 LBS.



MASABA

VERMILLION, SD USA 605-624-9555

THIS DRAWING IS THE CONFIDENTIAL PROPERTY OF MASABA AND SHALL NOT BE DUPLICATED, COPIED, REPRODUCED OR DISCLOSED WITHOUT AUTHORIZED PERMISSION FROM MASABA. THIS DOCUMENT IS TO BE RETURNED UPON REQUEST. DIMENSIONAL TOLERANCES: 1/16"

DESCRIPTION 30x80 PORTABLE RADIAL STAKER			
DESIGNED BY MAG	WEIGHT N/A	SIZE B	
DRAWN BY MAG	DATE 8/4/2015	SHEET 2 / 3	
SCALE 3/16" = 1'	PART NUMBER 15278000	REV 000	