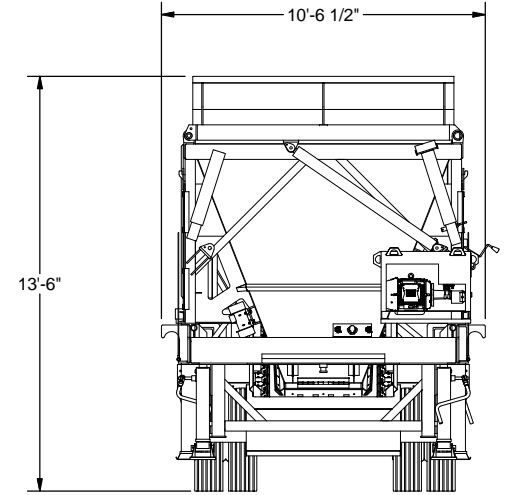
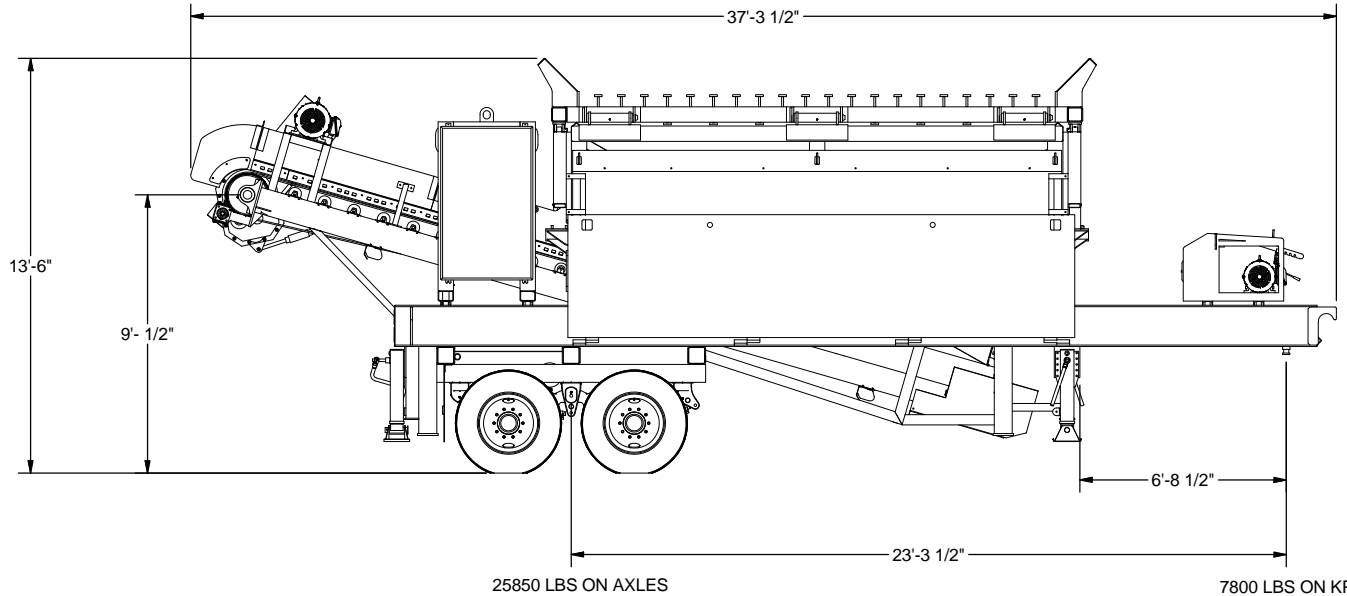


**MASABA**  
 VERMILLION, SD USA 605-624-9555  
**SUBMITTED FOR CUSTOMER APPROVAL**  
 APPROVED  REVISE  REJECTED  
 APPROVED BY: \_\_\_\_\_  
 APPROVAL DATE: \_\_\_\_\_



25850 LBS ON AXLES

7800 LBS ON KP

**MASABA**  
 VERMILLION, SD USA 605-624-9555

THIS DRAWING IS THE  
 CONFIDENTIAL PROPERTY OF  
 MASABA AND SHALL NOT BE  
 DUPLICATED,  
 COPIED, REPRODUCED OR  
 DISCLOSED WITHOUT  
 AUTHORIZED PERMISSION FROM  
 MASABA.  
 THIS DOCUMENT IS TO BE  
 RETURNED UPON REQUEST.  
 DIMENSIONAL TOLERANCES: 1/16"

|  |                            |                |
|--|----------------------------|----------------|
| DESCRIPTION<br><b>PORTABLE 9'x16' HOPPER W/ 42" FEEDER</b> |                            |                |
| DESIGNED BY<br>WTC   | WEIGHT<br>34053.486 lbmass | SIZE<br>B      |
| DRAWN BY<br>WTC  | DATE<br>12/19/2016         | SHEET<br>1 / 2 |
| SCALE<br>1/4" = 1'   | PART NUMBER<br>17112000    | REV<br>001     |