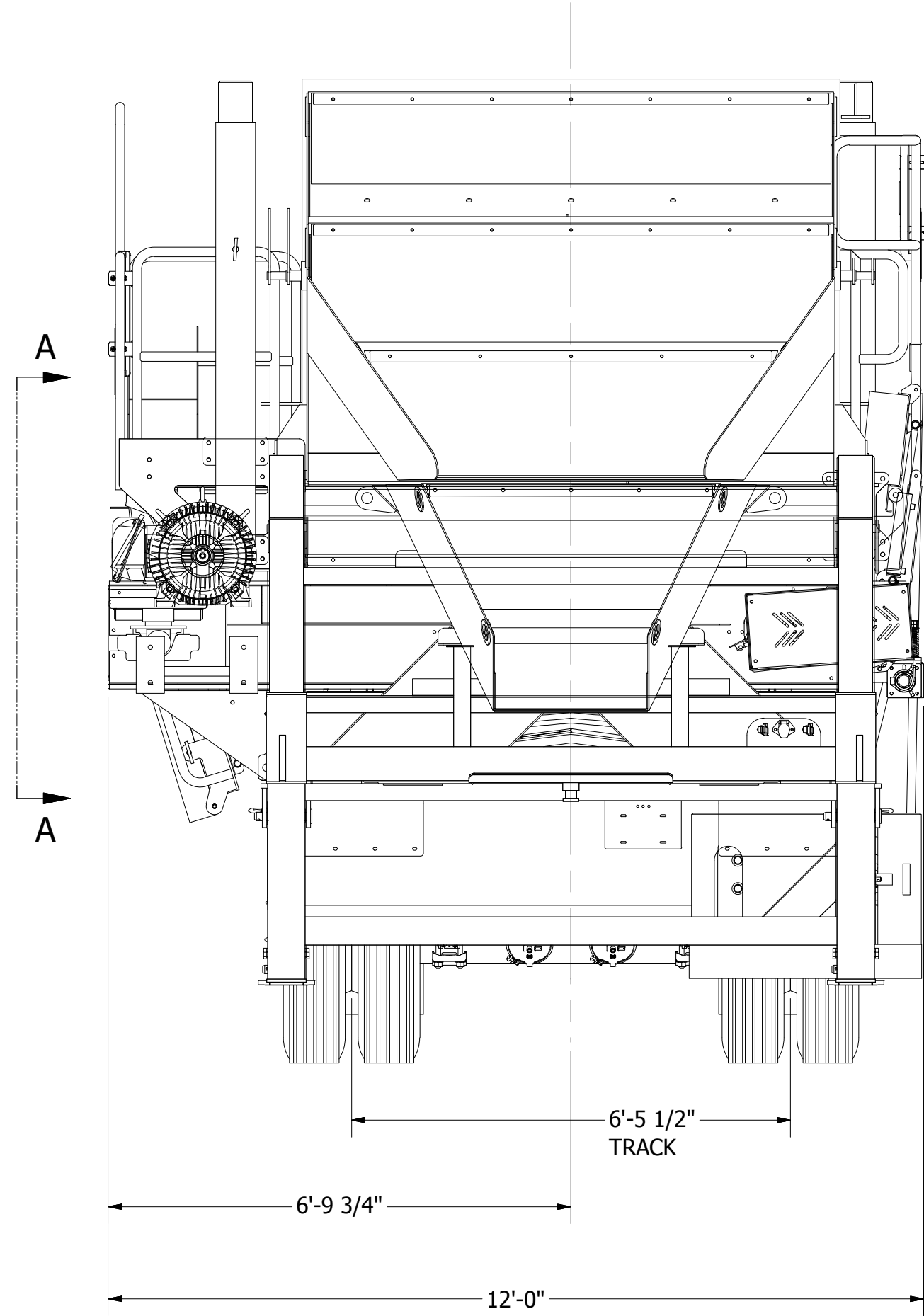
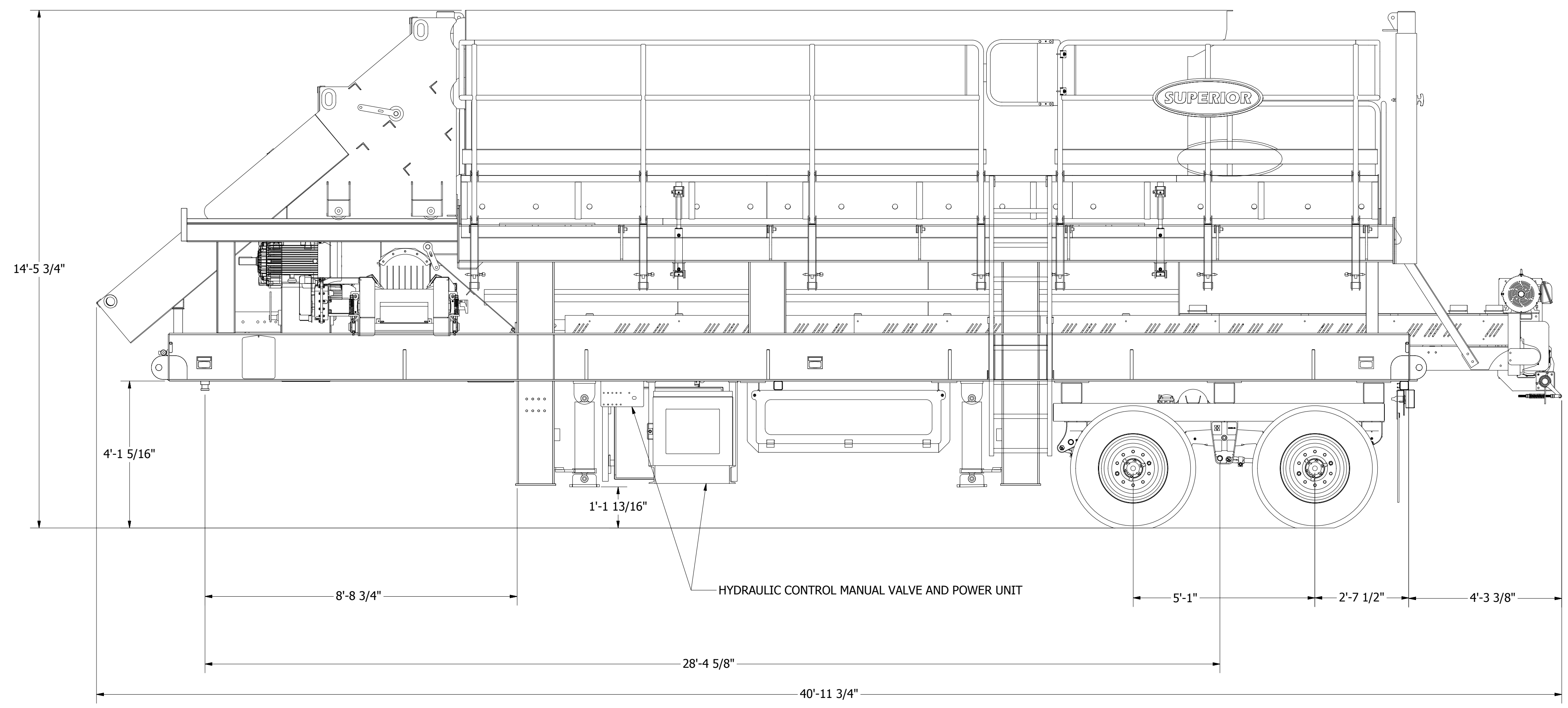


MOTOR MOUNT TRAVEL POSITION

VIEW A-A
SCALE 1/2"=1'



6'-9 3/4"
6'-5 1/2"
TRACK
12'-0"



14'-5 3/4"

4'-1 5/16"

1'-1 13/16"

HYDRAULIC CONTROL MANUAL VALVE AND POWER UNIT

8'-8 3/4"

28'-4 5/8"

40'-11 3/4"

5'-1"

2'-7 1/2"

4'-3 3/8"

KING PIN WEIGHT
28,000 LBS

AXLE WEIGHT
39,500 LBS

Approval Drawing
This print has been submitted for your approval. You are responsible for approving the general layout and noting any changes that must be made. In order to maintain delivery, return the signed approval drawing in 3 business days.
Date Submitted: 10/4/2016
Date Approved: _____
Approved By: _____
Company Name: _____
Superior Equipment reserves the right to make any necessary modifications. Notice will be sent if changes are necessary.

INVENTOR DRAWING: DO NOT MODIFY WITH ANY OTHER PROGRAM.
CONFIDENTIAL AND PROPRIETARY. THIS DRAWING IS THE PROPERTY OF SUPERIOR INDUSTRIES. IT IS NOT TO BE USED, DISTRIBUTED, OR REPRODUCED IN ANY MANNER WITHOUT EXPRESS WRITTEN PERMISSION OF SUPERIOR INDUSTRIES.
ALL DIMENSIONS IN INCHES (UNO)
TOLERANCES (UNO)
FRACTIONAL: ± 1/16"
ANGULAR: ± 1°
DECIMAL: 0.0 ± 0.01
0.000 ± 0.005
0.0000 ± 0.0020
± 1/32"

SUPERIOR 315 E Highway 28
P.O. Box 684
Morris, MN 56267 USA

7203-DEISTER, PORTABLE-CHASSIS,
60"-FINES, (1)24"-CROSS-CONVEYOR, GA

DRAWN BY: B. MONAHAN DATE: 10/3/2016 ASSEMBLY NO.:
SCALE (UNO): 1/2"=1' CHECKED: SIZE: D DRAWING NUMBER:
FILE: VAULT\IA003-0200

1	REPLACE 49" AXLE SPACING WITH 61"	10/4/2016	B. MONAHAN
REV	DESCRIPTION OF REVISION	DATE	AUTHOR
SHEET	WEIGHT	E-1 PART NO:	THIRD ANGLE PROJECTION
1 OF 1	0		

HOLE Ø: