

# CERTIFICATION

Aggregate Machinery Specialist  
TBD

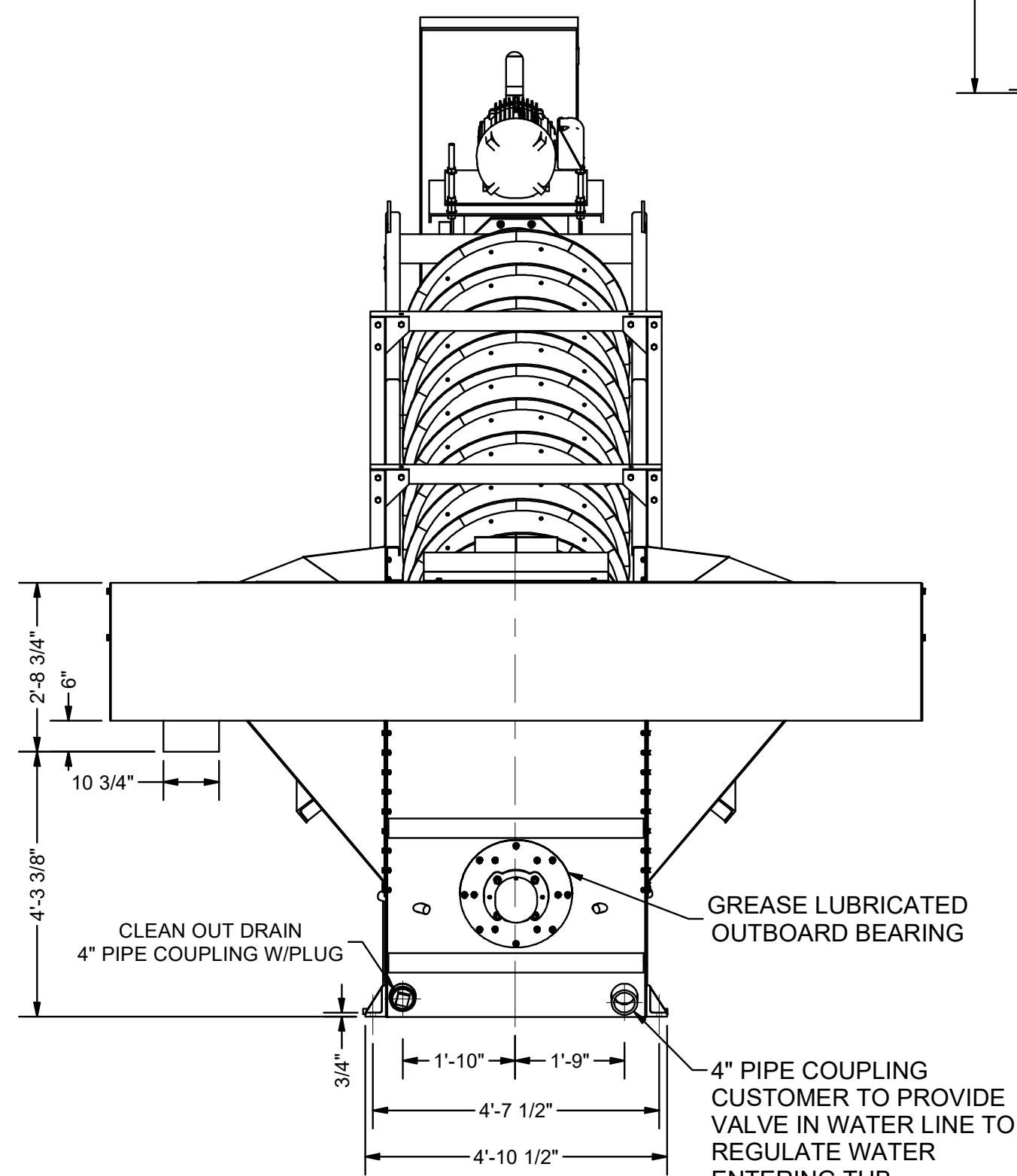
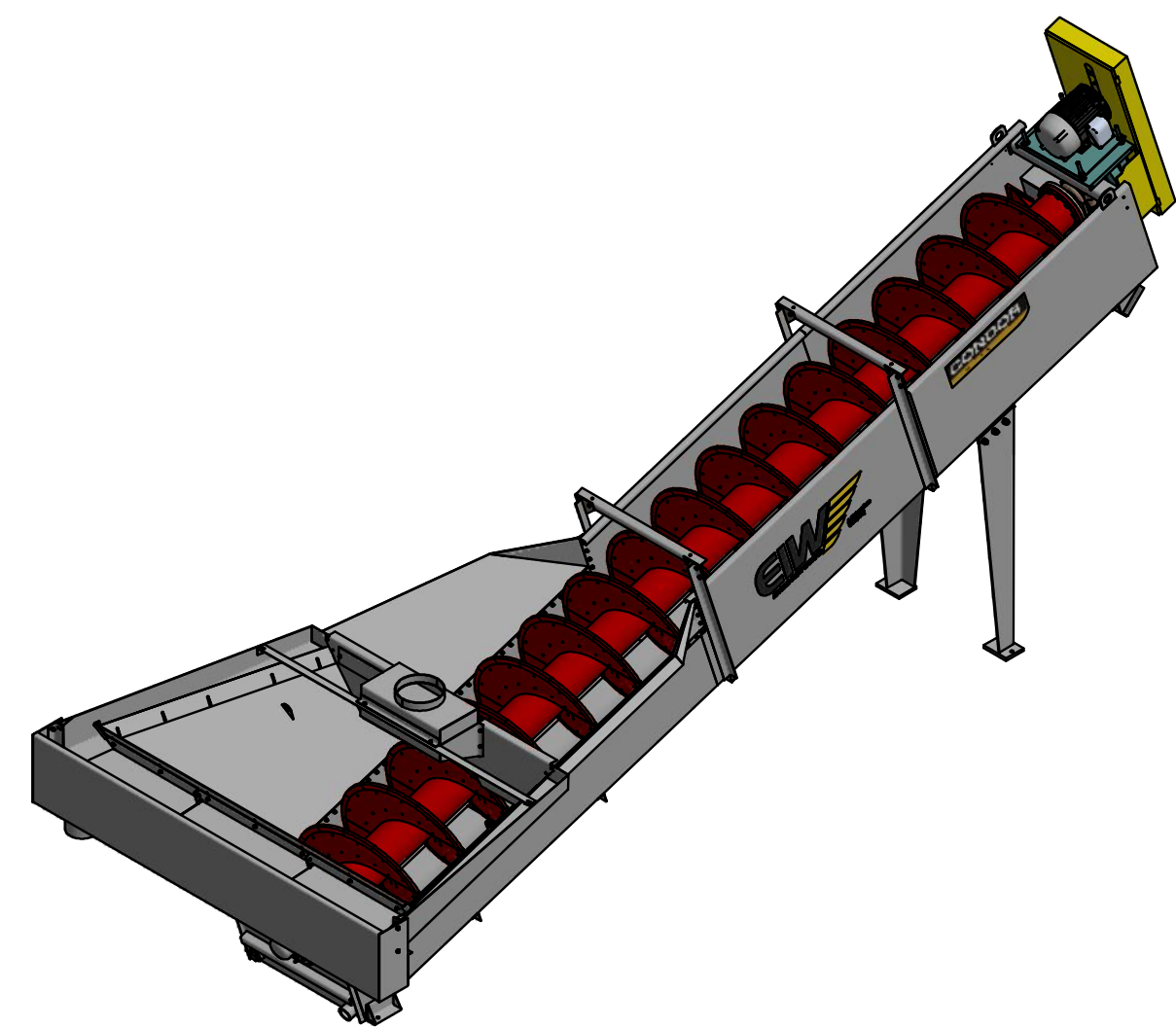
CUSTOMER ORDER NUMBER: 16670

MCLANAHAN SERIAL NUMBER: 20209048

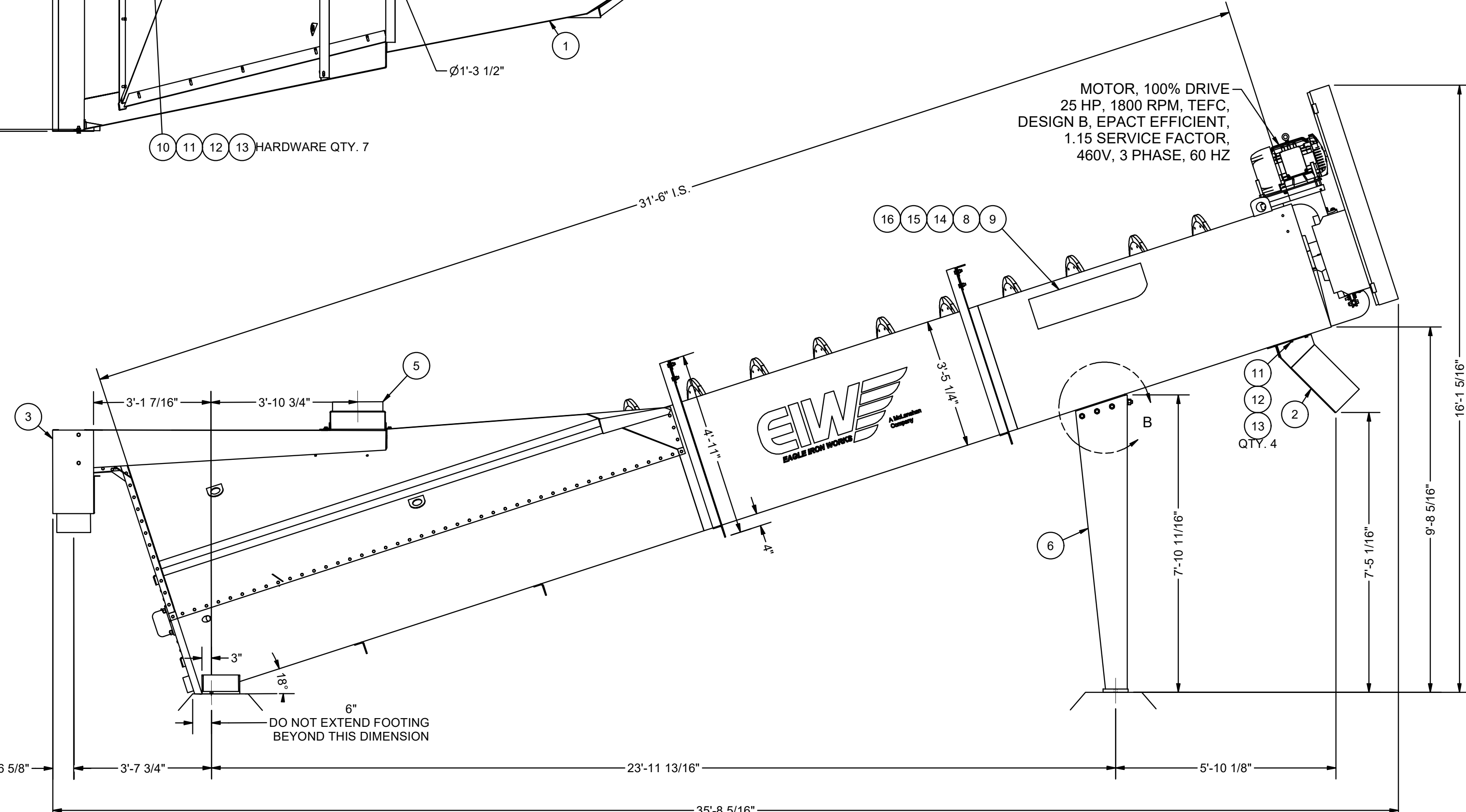
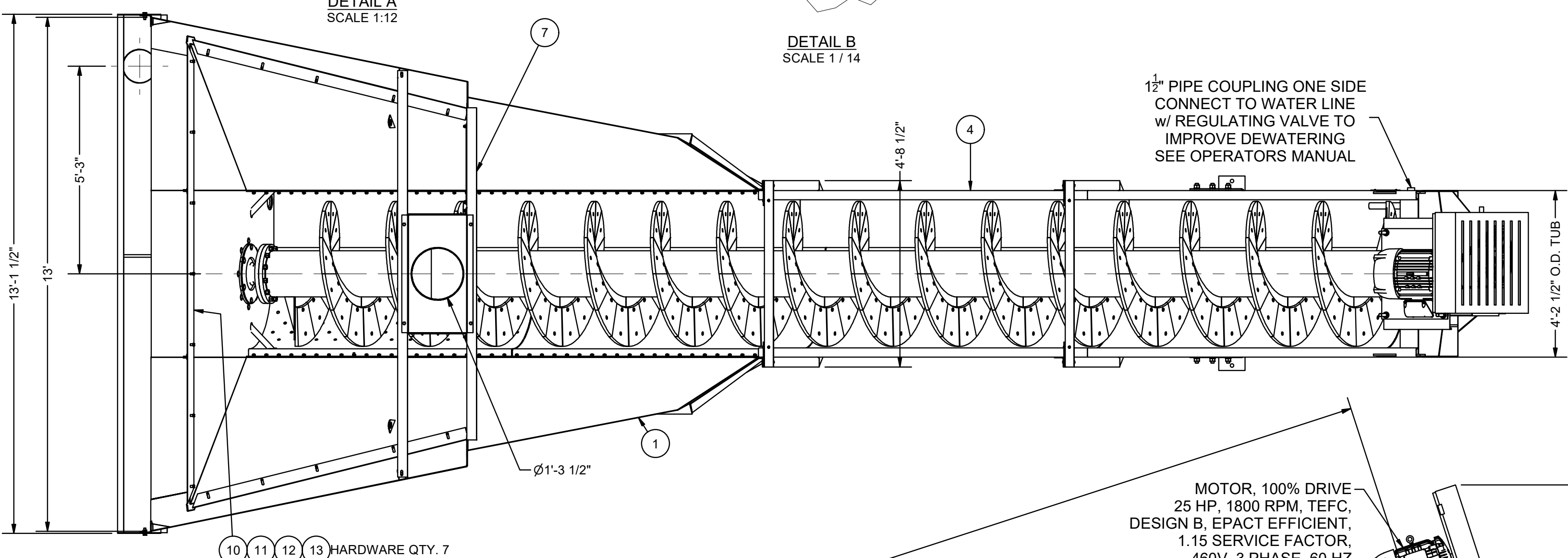
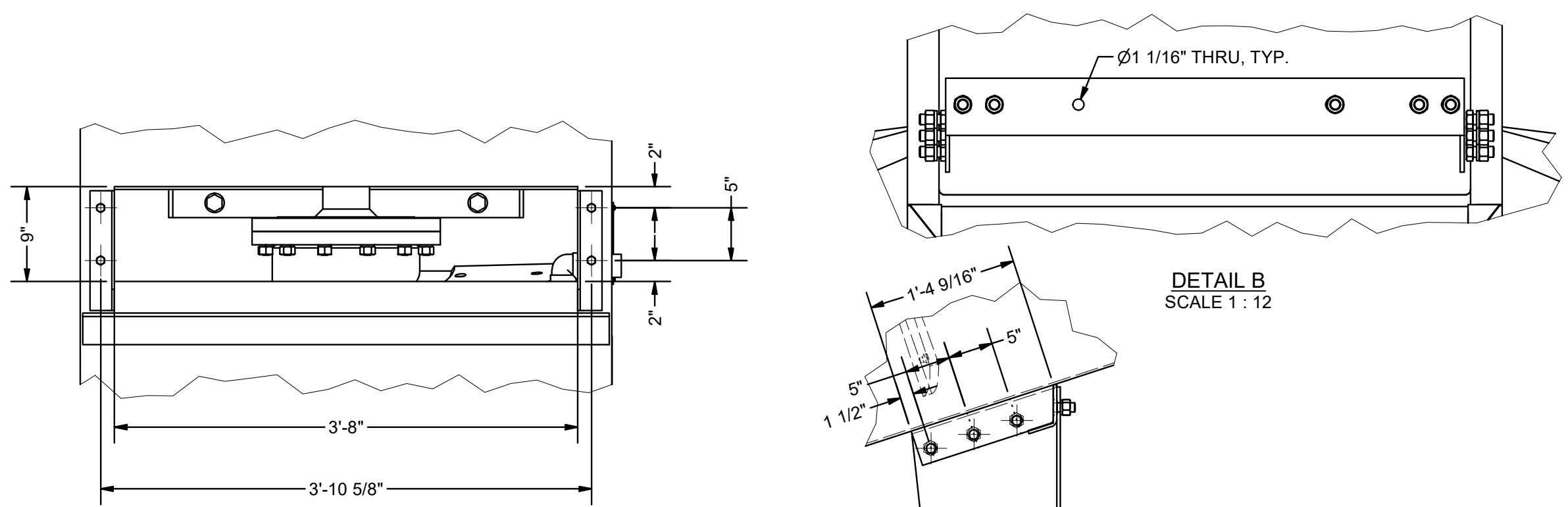
PRELIMINARY PRINT SENT	DATE	BY
APPROVAL DRAWING SENT	1/13/2021	ISipley

CERTIFIED DIMENSIONAL ACCURACY

FINAL CERTIFIED DRAWING

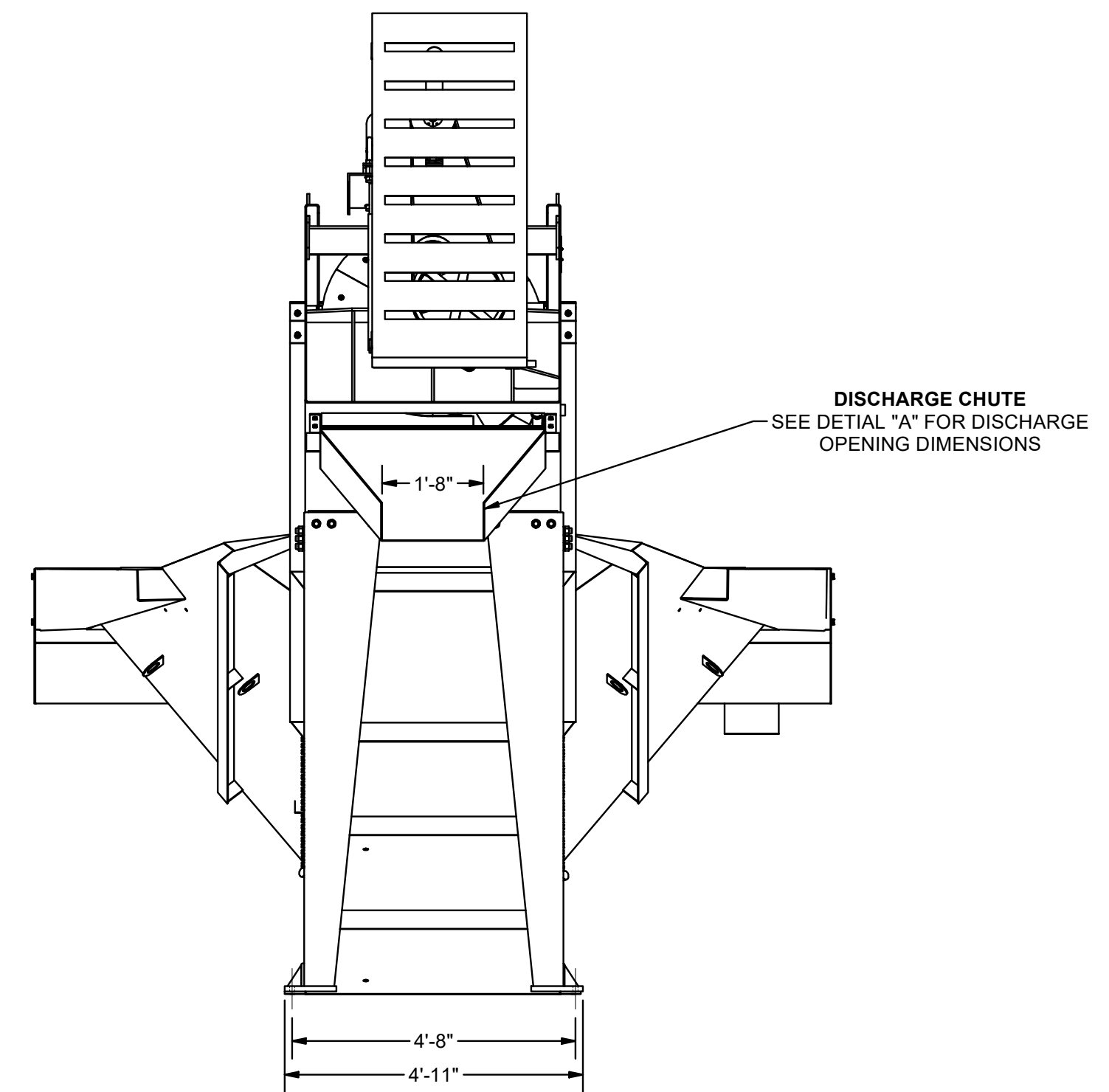


- NOTES:**
- CAUTION: DO NOT RESTRICT MATERIAL DISCHARGE OPENING, POSSIBLE DAMAGE TO MACHINE MAY RESULT
  - PERSONNEL SAFETY COVERS AVAILABLE ON SPECIAL ORDER
  - ALL ANCHOR BOLTS 7/8" DIA
  - MACHINE WT EMPTY = 14,160 LBS.
  - MACHINE WT LOADED = 67,500 LBS.



Bill Of Materials					
SHIP LOOSE	Item	Qty.	Part Number	Description	Fin Wt
*	1	1	A03303	SIDE FLARE ASSEMBLY, 44 & 54 FM WASHER	1501 lbmass
*	*	128	296700800	WASHER, LOCK, 0.5 IN, ZINC PLATED	2 lbmass
*	*	128	296507080	HEX BOLT, 1/2-13NC x 1.25" LG	15 lbmass
*	*	128	296507080	HEX NUT, 1/2-13NC, GRADE 5, ZINC PLATED	5 lbmass
*	2	1	A18441	DISCHARGE CHUTE	127 lbmass
*	3	1	A22987	WATER OVERFLOW FLUME	379 lbmass
*	*	4	294741028	CAPSCREW, HEX HEAD, 5/8" X 1 3/4", NC, GRADE 5, ZINC PLATED	
*	*	4	296701000	WASHER, LOCK, 5/8", ZINC PLATED	
*	*	4	296507100	NUT, HEX, 5/8", NC, GRADE 5, ZINC PLATED	
*	4	1	US35000173	ASSEMBLY, 44" X 32" SSFM CONDOR, 100% DRIVE 25 HP Motor, CONVEYOR SHAFTS W/ PREMIUM Yellow WEAR SHOES	15779 lbmass
5	1	1	B02865	INLET COVER, 44, 48, & 54 IN SF WASHER	132 lbmass
*	6	1	B10305	WASHER SUPPORTS	489 lbmass
*	*	12	294741632	CAPSCREW, HEX HEAD, 1" X 2", NC, GRADE 5, ZINC PLATED	9 lbmass
*	*	12	296701600	WASHER, LOCK, 1", ZINC PLATED	1 lbmass
*	*	12	296507161	NUT, HEX, 1", NC, L.H. GRADE 5	4 lbmass
*	7	1	B10433	FEED BOX ASSEMBLY	250 lbmass
*	*	6	294740820	HEX BOLT, 1/2-13NC x 1.25" LG	
*	*	6	296700800	LOCK WASHER, 1/2", ZINC PLATED	
*	*	6	296507080	HEX NUT, 1/2-13NC, GRADE 5, ZINC PLATED	
8	2	1	D16639	DECAL, 17.625" X 52.00" EIW LOGO	1 lbmass
9	2	1	D43757	DECAL, CONDOR LOGO, MEDIUM	7 lbmass
*	10	1	D05928	WEIR, END, 44, SSFM WASHER	42 lbmass
*	11	11	294740820	HEX BOLT, 1/2-13NC x 1.25" LG	1 lbmass
*	12	11	296507080	NUT, HEX, 1/2", NC, GRADE 5, ZINC PLATED	0 lbmass
*	13	11	296700800	WASHER, LOCK, 0.5 IN, ZINC PLATED	0 lbmass
14	1	1	D03180	NAME PLATE	1 lbmass
15	2	1	297212003	SCREW, DRIVE, TYPE U, #12 X 1/2 IN ROUND HEAD DRIVE SCREW, ZINC	0 lbmass
16	1	1	D38050	DECAL, KIT, EIW WASHERS	0 lbmass

\*= SHIPPED LOOSE



UNLESS OTHERWISE NOTED, TOLERANCES ON DIMENSIONS ARE:

FRAMES	±0.01 in
PROFILES/RAW	±0.005 in
FABRICATION	±0.01 in
ANGLES	±1°
SURFACE	±0.005 in

WEIGHT: 14,160 LBS.

SHEET NUMBER: 1 OF 1

SCALE: VARIOUS

DRAWN BY: ISipley

CHECKED BY: DLE

APPROVED BY: CUSTOMER DRAWING

THIRD ANGLE PROJECTION

PART NUMBER: SSFMC44X3220209048

DESCRIPTION: INSTALL, 44" X 32" SSFM CONDOR, OVERFLOW FLUMES, DISCHARGE CHUTES, WASH SUPPORTS, 100% DRIVE, PREMIUM URETHANE WEAR SHOES

1ST ISSUE DATE: 1/12/2021

SHEET SIZE: D

DRAWING NUMBER: US35000174

REVISION: 1

