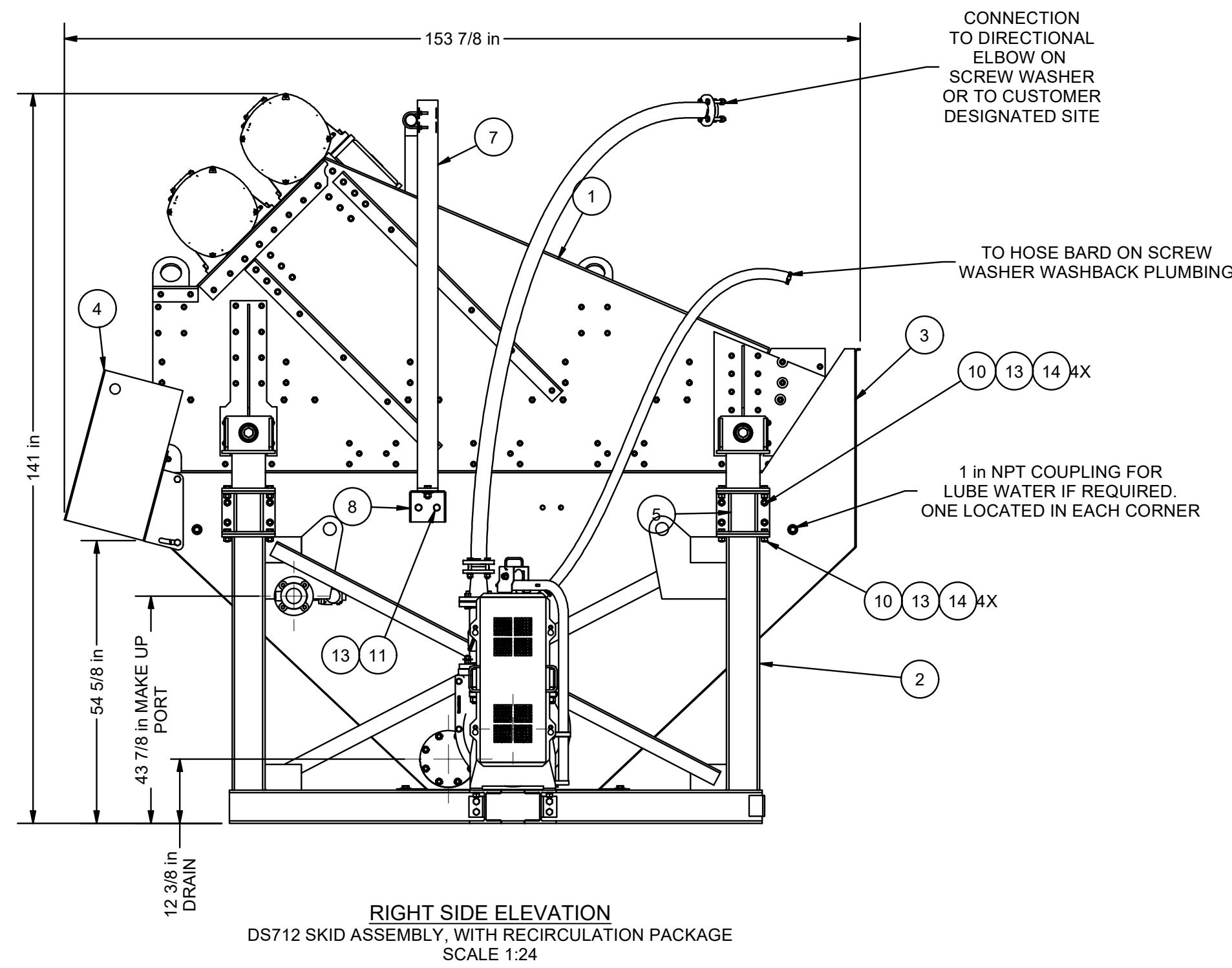
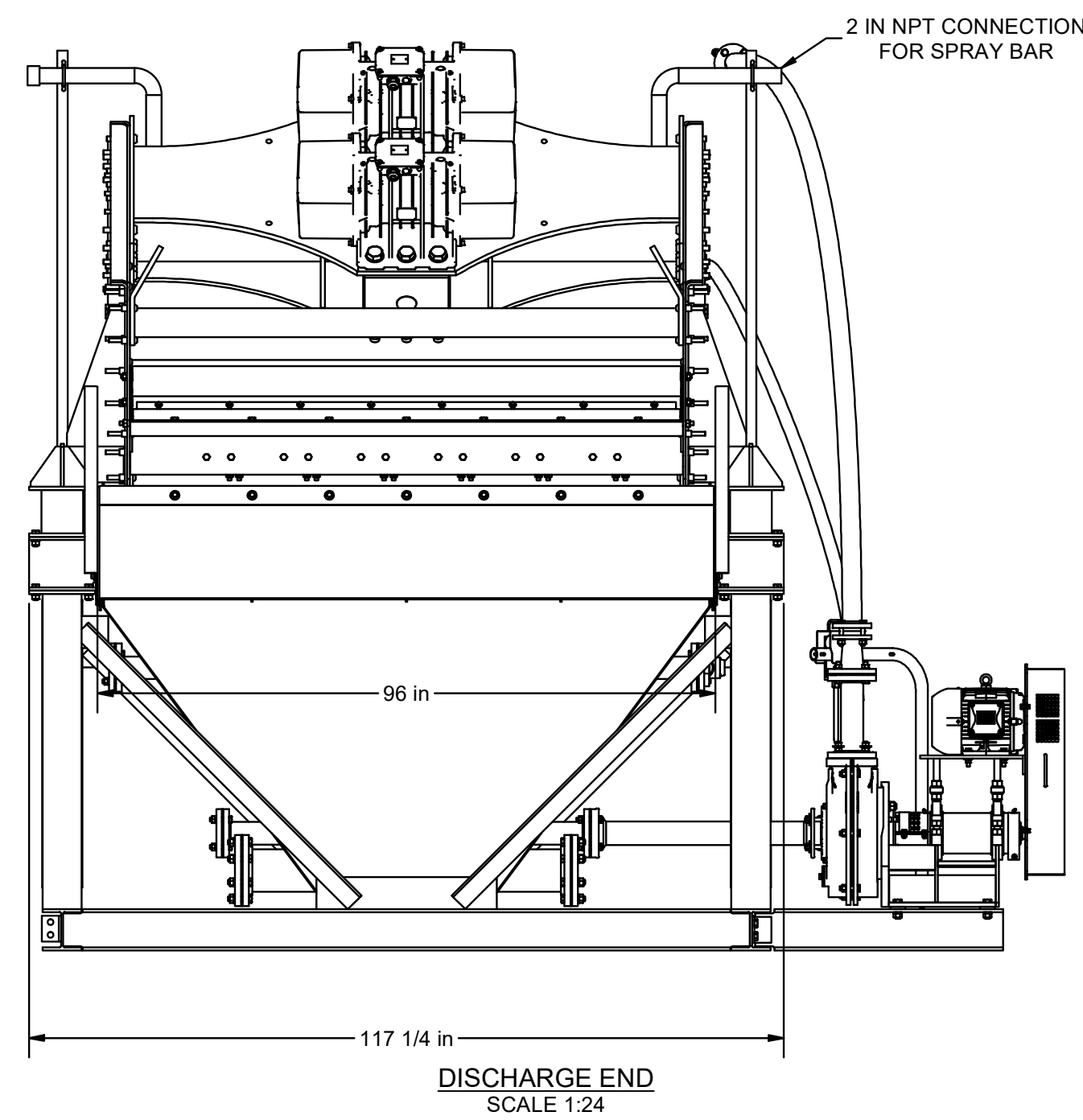
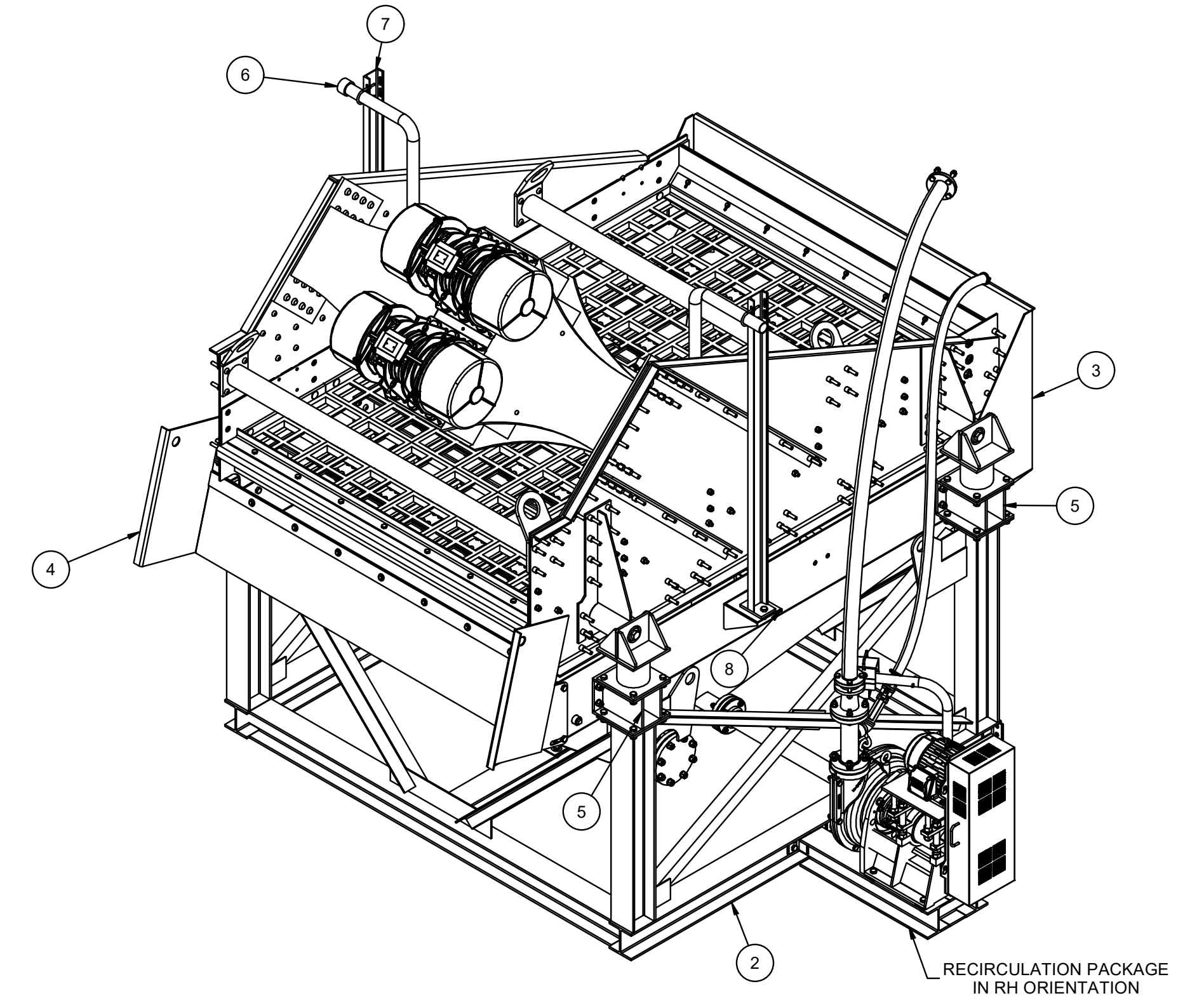
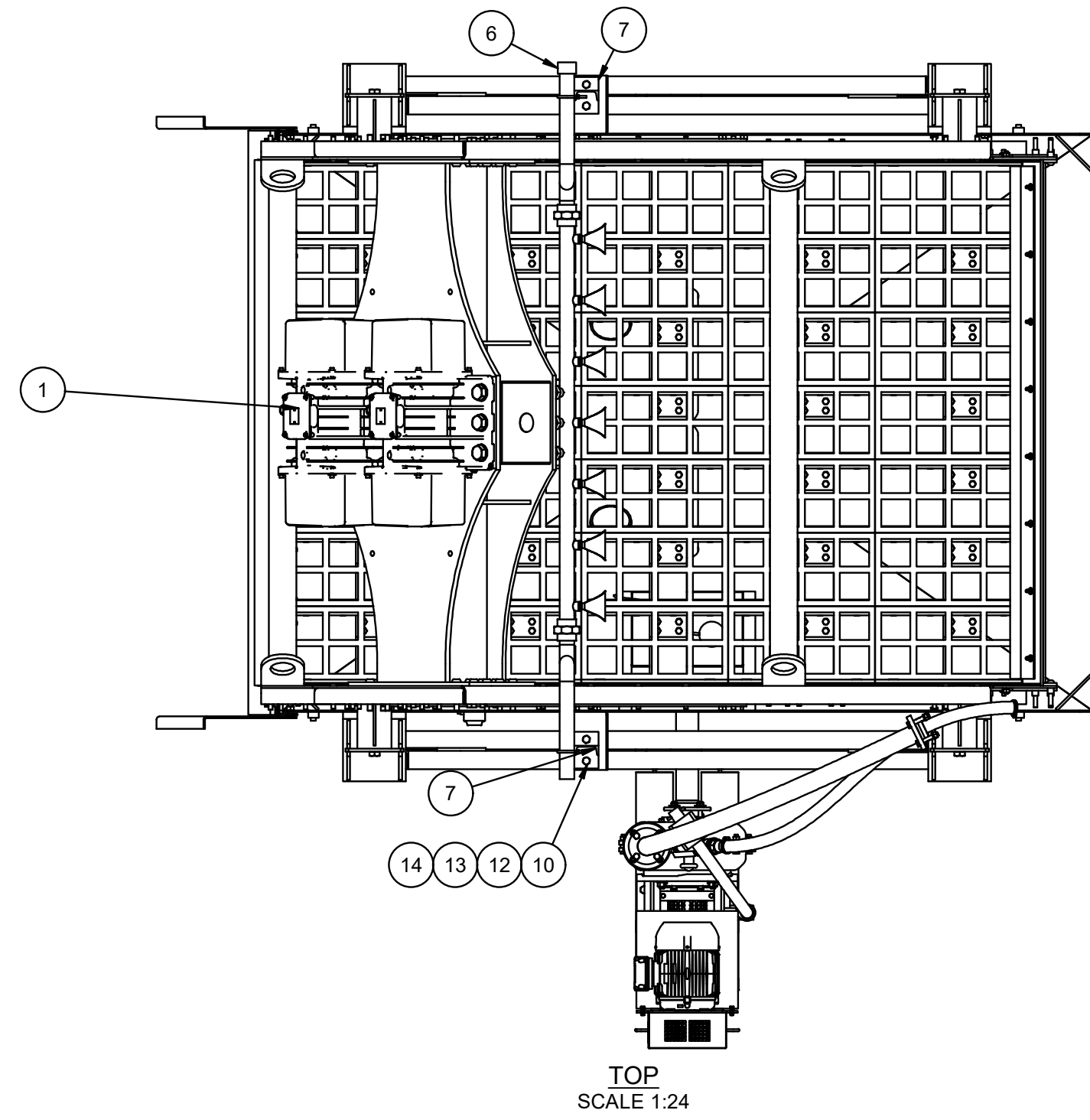


| Bill Of Materials | | | | | |
|-------------------|------|-------------|--|-------------|--|
| Item | Qty. | Part Number | Description | Fin Wt | |
| 1 | 1 | A34804 | SCREEN ASSEMBLY, DS712 DEWATERING SCREEN, CONTAINING A34803 AND B23995 PANEL KIT | 8649 lbmass | |
| 2 | 1 | A34748 | SKID, DS712 DEWATERING SCREEN | 2156 lbmass | |
| 3 | 1 | A34749 | UNDERPAN/SUMP COMBO, DS712, Ø3" SUCTION | 2314 lbmass | |
| 4 | 1 | 11425210018 | DISCHARGE CHUTE, VD21S, 18" OAL, W/ MOUNTING HARDWARE | 273 lbmass | |
| 5 | 4 | D43925 | MOUNTING FOOT, DS712, UNDERPAN | 261 lbmass | |
| 6 | 1 | 11085250000 | SPRAY BAR ASSEMBLY, DS712 | 55 lbmass | |
| 7 | 2 | 11085990007 | SPRAY BAR SUPPORT, DS712 | 80 lbmass | |
| 8 | 2 | D43926 | SPRAY BAR SUPPORT FOOT, DS712 | 22 lbmass | |
| 9 | 1 | B24004 | RECIRCULATION PACKAGE | 1199 lbmass | |
| 10 | 56 | 294741232 | CAPSCREW, HEX HEAD, 0.75X2, NC, GRADE 5, ZINC PLATED | 22 lbmass | |
| 11 | 4 | 294741224 | CAPSCREW, HEX HEAD, 0.75X1.5, NC, GRADE 5, ZINC PLATED | 1 lbmass | |
| 12 | 8 | 296601200 | WASHER, FLAT, 0.75, ZINC PLATED | 1 lbmass | |
| 13 | 60 | 296701200 | WASHER, LOCK, 0.75, ZINC PLATED | 3 lbmass | |
| 14 | 56 | 296507120 | NUT, HEX, 0.75, NC, GRADE 5, ZINC PLATED | 8 lbmass | |



ESTIMATED PACKED WEIGHT: 39,200 LBS

UNLESS OTHERWISE
NOTED, TOLERANCES ON
DIMENSIONS ARE:
Ø .01 in
FIN .001 in
PROFILES/RAW .01 in
FABRICATION .01 in
ANGLES .125
SURFACE



WEIGHT: 14,415 LBS
SHEET NUMBER: 1 OF 1
SCALE: 1:24
DESCRIPTION: DEWATERING SCREEN SKID ASSEMBLY, DS712, WITH PUMP RECIRCULATION PACKAGE

PART NUMBER: A34819
DRAWN BY: CYingling
CHECKED BY: SDM
APPROVED BY: [Signature]

REFERENCES

THIRD ANGLE
PROJECTION

ASSEMBLY DRAWING

1st ISSUE DATE: 12/19/2019
SHEET SIZE: D
DRAWING NUMBER: A34797
REVISION