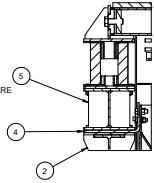
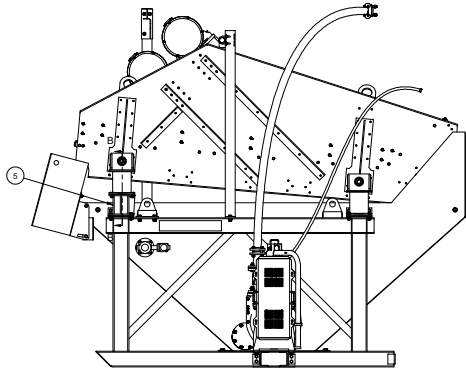


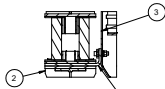
INSTALL ON TOP OF ITEM #4
USE ITEMS #14, #16, & #18
TO CONNECT ITEM #5 TO ITEMS #4#2
ITEM #5 COMES WITH ADDITIONAL HARDWARE
TO CONNECT ITEM #1 TO ITEM #5.



SECTION B-B
CROSS SECTION OF DISCHARGE END
FOOT IN THE ELEVATED POSITION
SCALE 1:12

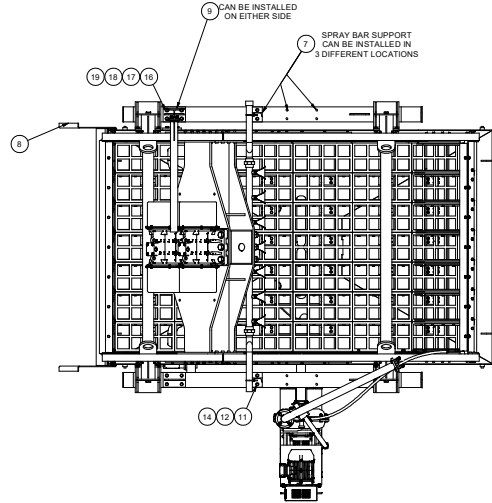


SCREEN ELEVATED
DEWATERING SCREEN SKID ASSEMBLY, VD21S
SCALE 1:24



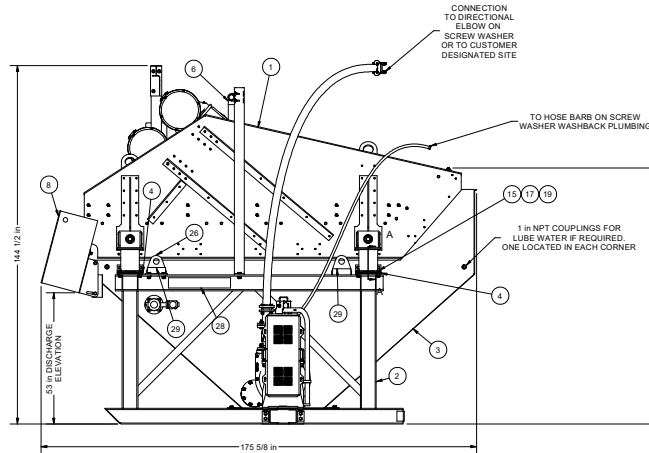
SECTION A-A
CROSS SECTION OF FEET IN
FLAT OPERATING POSITION
SCALE 1:12

LIFTING NOTE:
CHAIN SPREADER US20300001 TO LIFT
SCREEN ASSEMBLY. INSTALL ITEM #68
WHEN LIFTING. REMOVE AND INSTALL
ITEM #9 WHEN IN POSITION.



TOP
SCALE 1:24

CERTIFICATION		
Kimball Equipment Co.		
CUSTOMER ORDER NUMBER: EPO 000984 1		
MCLANAHAN SERIAL NUMBER: 20192229		
DATE	BY	
PRELIMINARY PRINT SENT		
APPROVAL DRAWING SENT		
CERTIFIED DIMENSIONAL ACCURACY	4/7/20	CAY
FINAL CERTIFIED DRAWING		



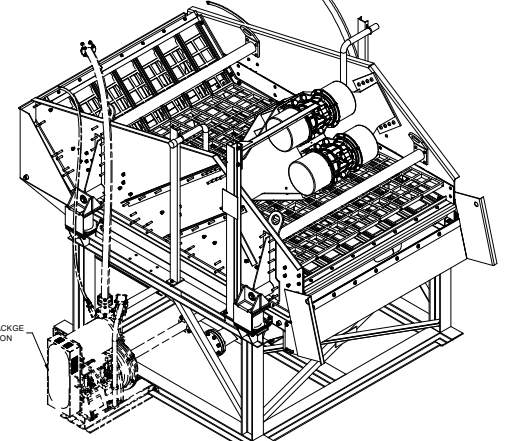
RIGHT SIDE ELEVATION
DEWATERING SCREEN SKID ASSEMBLY, VD21S
SCALE 1:24

CONNECTION TO DIRECTIONAL
ELBOW ON
SCREW WASHER
OR TO CUSTOMER
DESIGNATED SITE

TO HOSE BARB ON SCREW
WASHER WASHBACK PLUMBING

1 in NPT COUPLINGS FOR
LUBE WATER IF REQUIRED.
ONE LOCATED IN EACH CORNER

Bill Of Materials				
Item	Qty	Part Number	Description	Fin Wt
1	1	11050210222	SCREEN ASSEMBLY, VD21S, DEWATERING SCREEN, MKII SERIES, CONTAINING, 11050210127 & 05890100008	10137 lbmass
2	1	12205020227	DEWATERING SCREEN SKID, VD21S	2401 lbmass
3	1	11100210077	UNDERPANSUMP COMBINATION, VD21S, Ø3" SUCTION	2375 lbmass
4	4	1109090008-M	MOUNTING FOOT, FEED END, VD1S - VD21S	84 lbmass
5	2	11090900018	MOUNTING FOOT, OFFSET, UNDERPAN, DISCHARGE END, VD1S - VD21S	113 lbmass
6	1	11085250000	SPRAY BAR ASSEMBLY, VD21S	55 lbmass
7	2	11085900007	SPRAY BAR SUPPORT, VD15 -VD21S	80 lbmass
8	1	11425210018	DISCHARGE CHUTE, VD21S, 18" OAL, W/ MOUNTING HARDWARE	273 lbmass
9	1	12205000704	ELECTRICAL STAND	128 lbmass
10	1	12200000667A	PUMP RECIRCULATION PACKAGE	1290 lbmass
11	8	294741232	CAPSCREW, HEX HEAD, 0.75X2, NC, GRADE 5, ZINC PLATED	3 lbmass
12	8	396701200	WASHER, LOCK, 0.75, ZINC PLATED	0 lbmass
13	4	296601200	WASHER, FLAT, 0.625, ZINC PLATED	0 lbmass
14	8	296507120	NUT, HEX, 0.75, NC, GRADE 5, ZINC PLATED	1 lbmass
15	16	294741040	CAPSCREW, HEX HEAD, 0.625X2.5, NC, GRADE 5, ZINC PLATED	5 lbmass
16	4	294741032	CAPSCREW, HEX HEAD, 0.625X2, NC, GRADE 5, ZINC PLATED	1 lbmass
17	20	296701000	WASHER, LOCK, 0.625, ZINC PLATED	1 lbmass
18	4	296601000	WASHER, FLAT, 0.625, ZINC PLATED	0 lbmass
19	20	296507100	NUT, HEX, 0.625, NC, GRADE 5, ZINC PLATED	2 lbmass
20	3	39990003-1A	FINISHED MIX, PRIMER, RED, PART A & PART B	
21	1	399900011-1A	FINISHED MIX, PAINT, MCLANAHAN RED, PART A & B	
22	4	299907012-1A	PAINT, BASALT GREY, RAL 7012, CARBOLINE 8812	
23	1	299903001-1B	PAINT, CARBOTHANE PART B	
24	0.5	299900000	THINNER, CLEAN UP, #2	
25	0.1	29990000A	THINNER, TOPCOAT #25	
26	2	US21100004	LIFTING PLATE FOR ULTRA DRY ASSEMBLY	30 lbmass
27	4	11072990000	SHIPPING BRACKET, VD21S	35 lbmass
28	2	T-428	TAG, ULTRA DRY	1 lbmass
29	4	T-19	TAG POINT	1 lbmass



ISOMETRIC
DEWATERING SCREEN SKID ASSEMBLY, VD21S
SCALE 1:24

RECIRCULATION PACKAGE
IN LH ORIENTATION

ESTIMATED PACKED WEIGHT: 52,500 LBS	
16,538 LBS	1 OF 2
1:24	PART NUMBER: 12200000667
VD21S ULTRADRY ASSEMBLY, W/ RECIRCULATION PACKAGE FOR 300ZF FMSIW	
Ctygrip	
D/E	
ASSEMBLY DRAWING	12/26/2019 D 12200000667

REV	DESCRIPTION	DATE	BY	CHK BY
2	ADDED ITEMS #28 & #29	2/26/2020	CAY	SDM
1	ADDED LIFTING NOTES, ADDED ITEM #26 & #27	2/7/2020	CAY	SDM
	DESCRIPTION	DATE	BY	CHK BY

