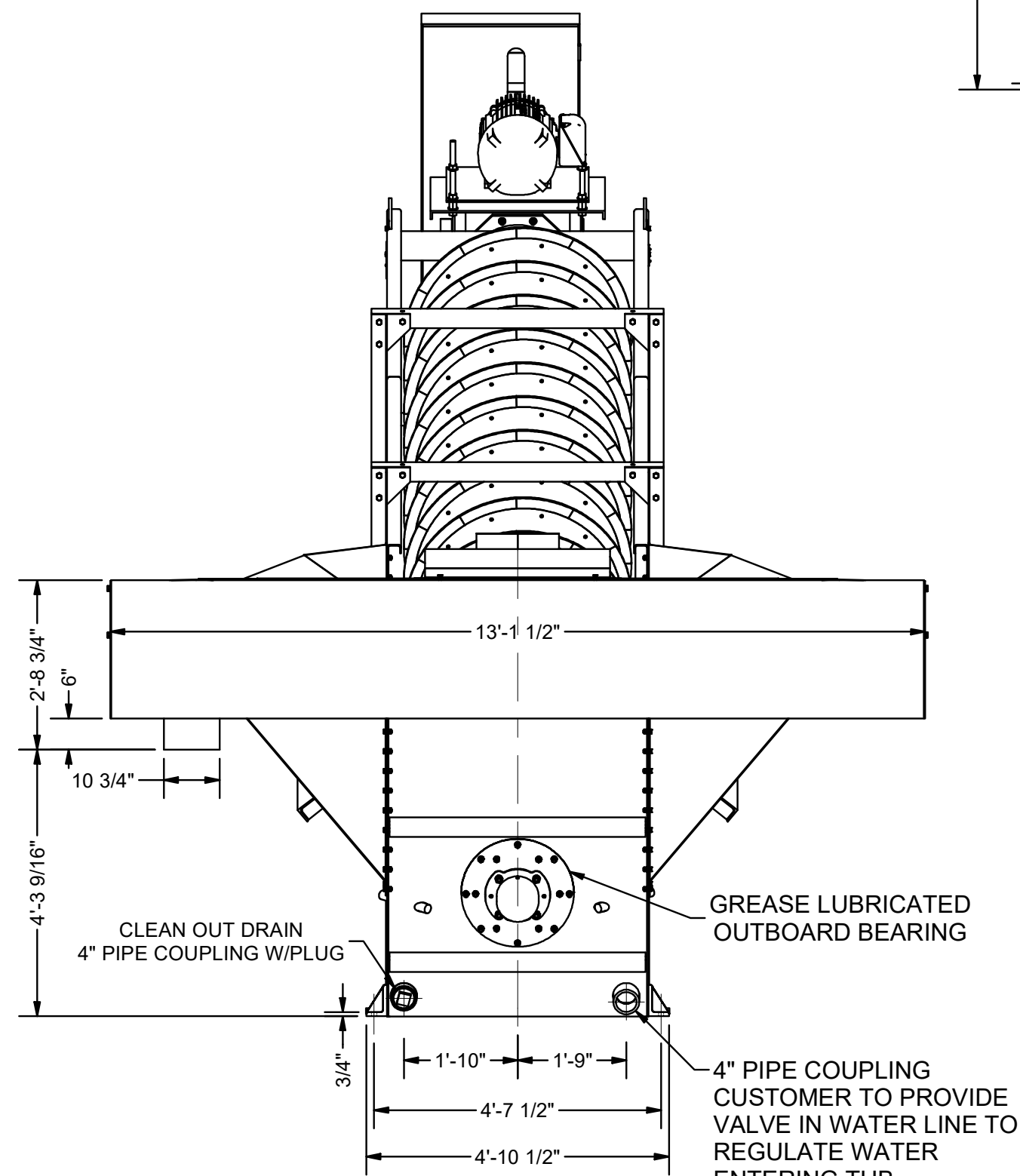
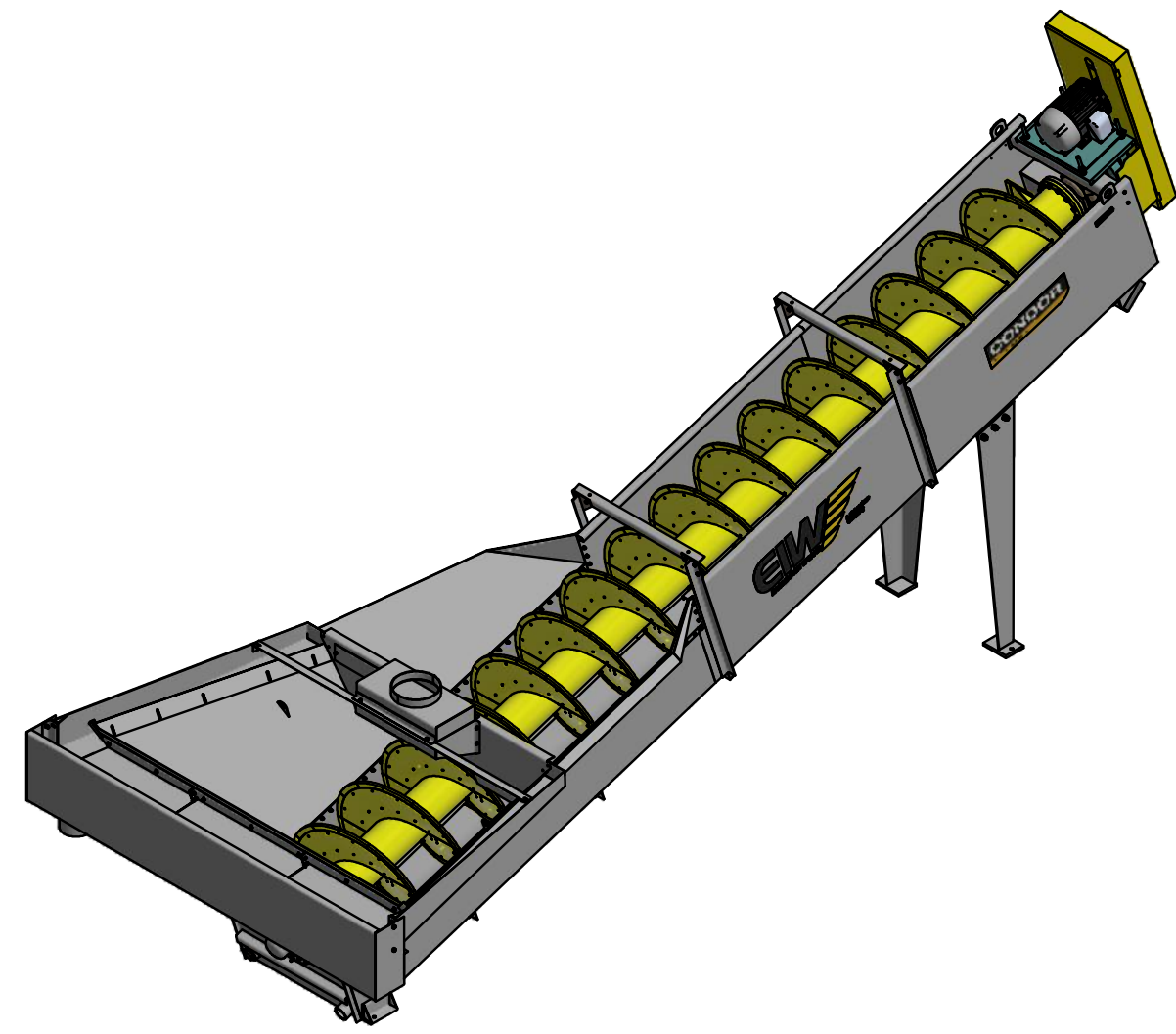


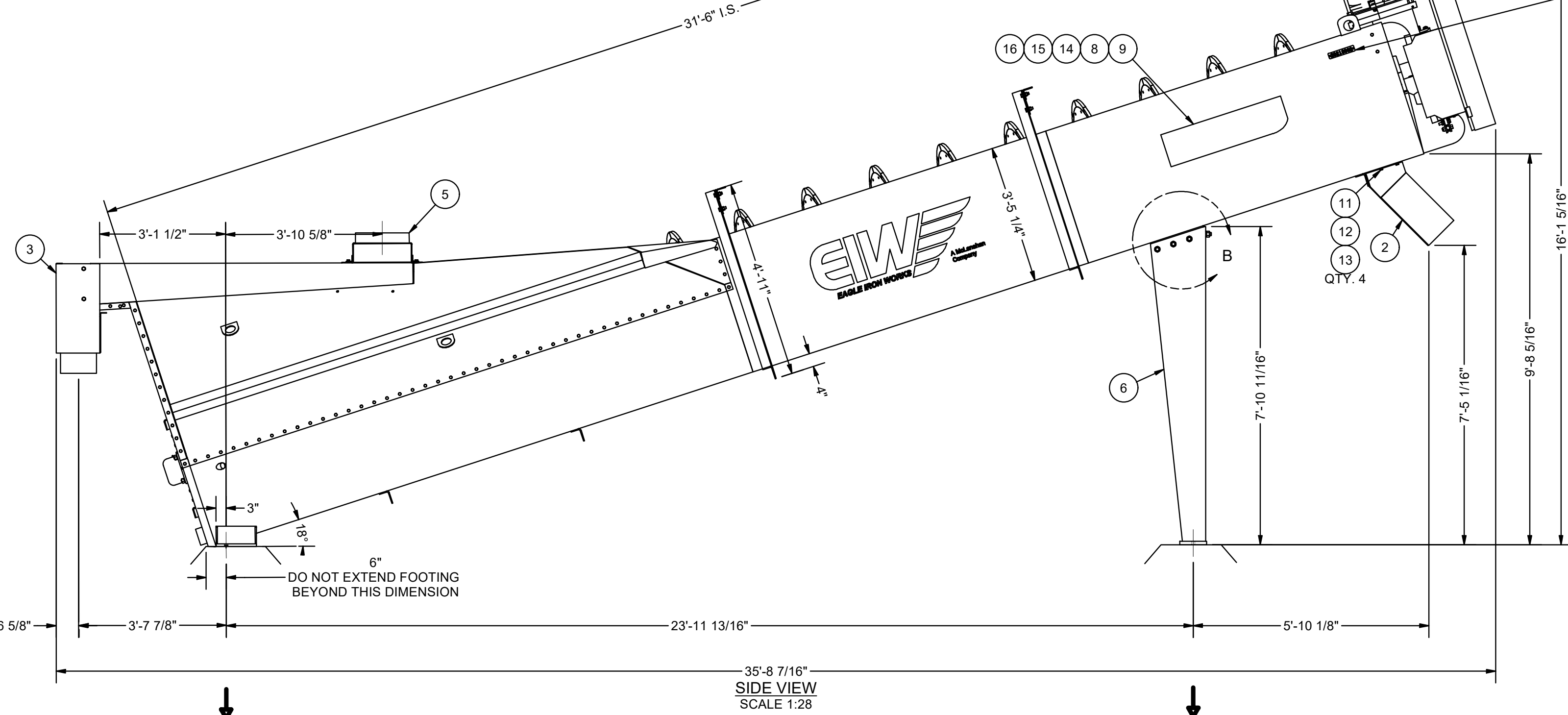
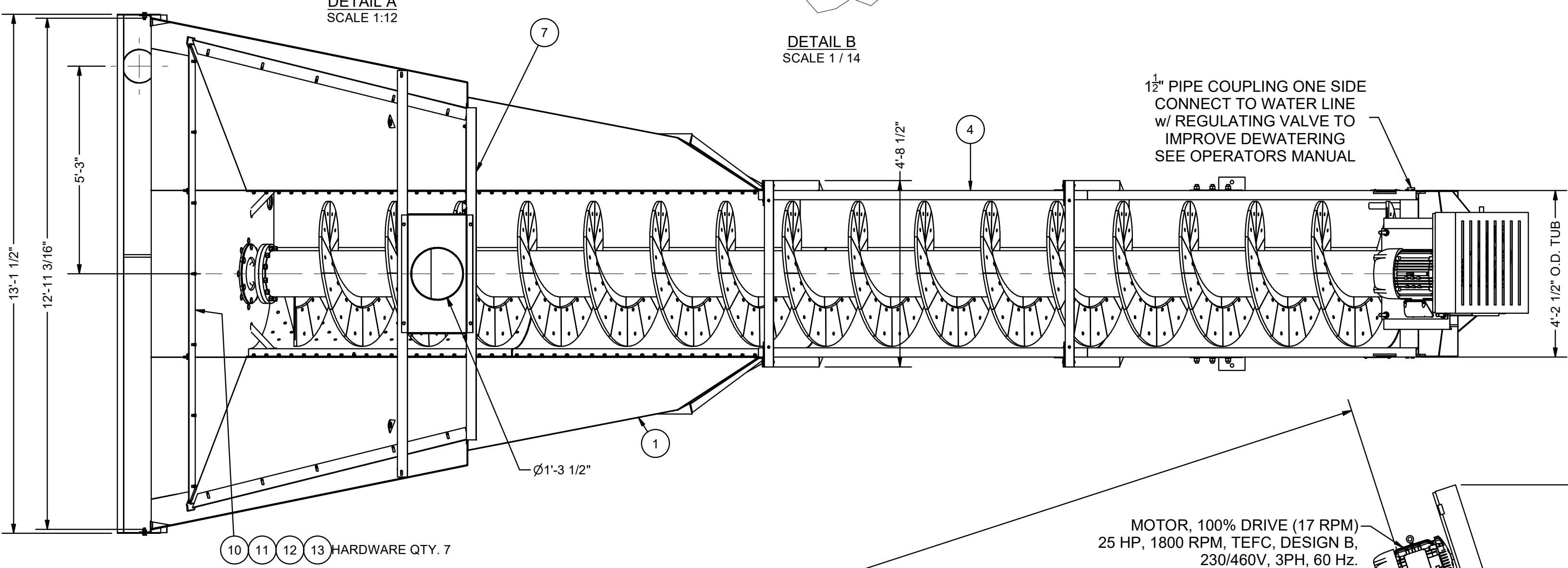
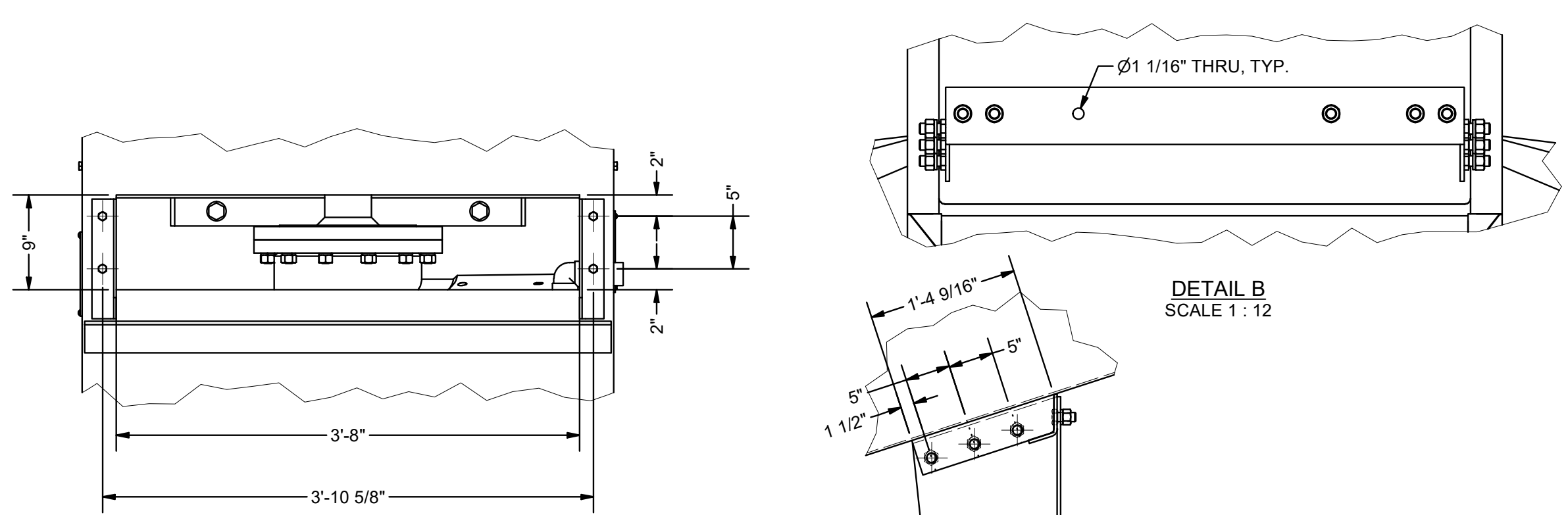
# CERTIFICATION

Aggregate Machinery Specialist

CUSTOMER ORDER NUMBER: 16689		
MCLANAHAN SERIAL NUMBER: 20219092		
PRELIMINARY PRINT SENT	DATE	BY
APPROVAL DRAWING SENT	1/10/22	ISipley
CERTIFIED DIMENSIONAL ACCURACY		
FINAL CERTIFIED DRAWING		

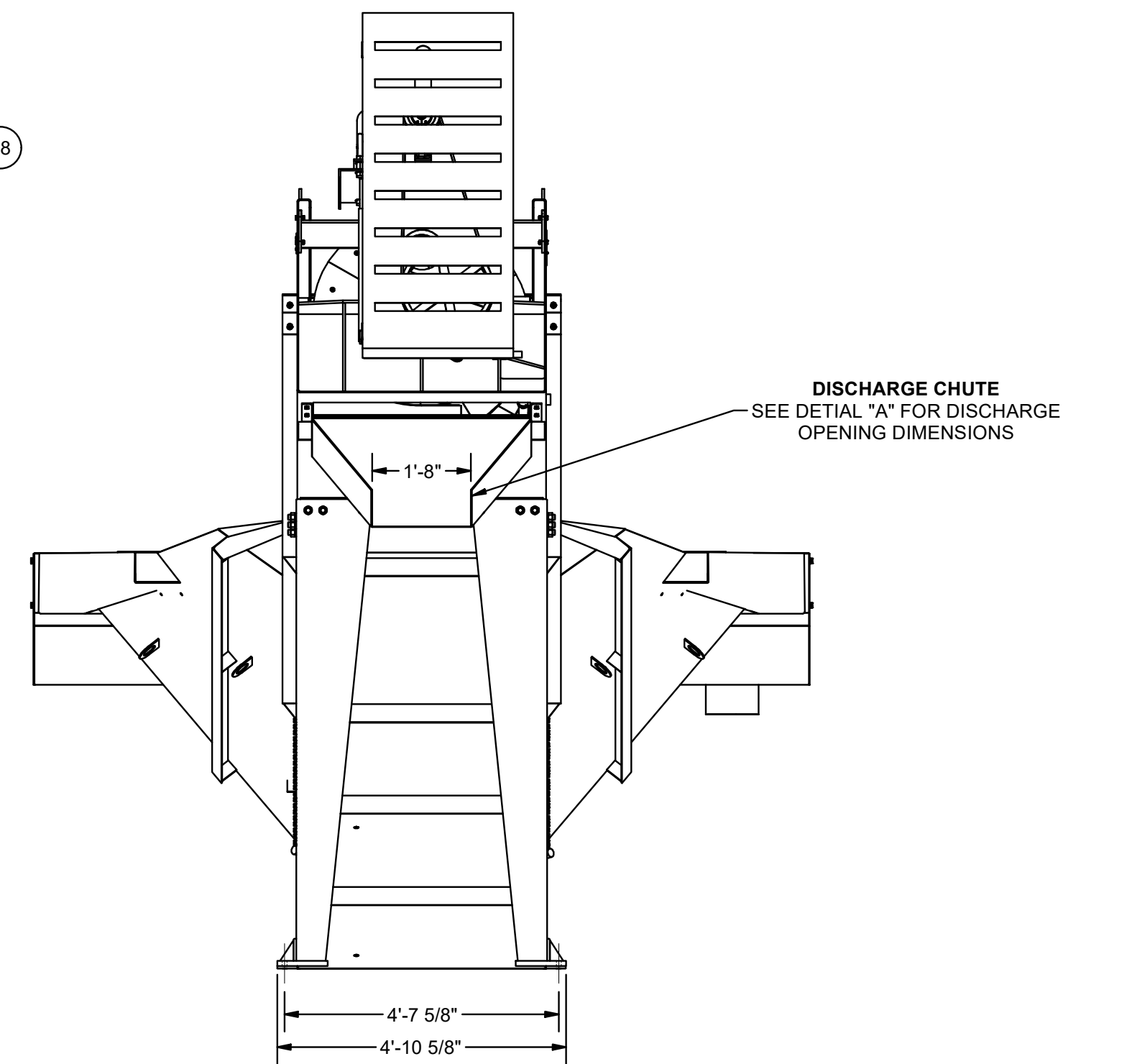


- NOTES:**
- CAUTION: DO NOT RESTRICT MATERIAL DISCHARGE OPENING, POSSIBLE DAMAGE TO MACHINE MAY RESULT
  - PERSONNEL SAFETY COVERS AVAILABLE ON SPECIAL ORDER
  - ALL ANCHOR BOLTS 7/8" DIA
  - MACHINE WT EMPTY = 16,460 LB
  - MACHINE WT LOADED = 69,500 LB



Bill of Materials					
SHIP LOOSE	Item	Qty.	Part Number	Description	Fin Wt
*	1	1	A03303	SIDE FLARE ASSEMBLY, 44 & 54 FM WASHER (INCLUDES HARDWARE)	1500 lbmass
*	*	128	296700800	WASHER, LOCK, 0.5 IN, ZINC PLATED	2 lbmass
*	*	128	294740820	HEX BOLT, 1/2-13NC x 1.25" LG	15 lbmass
*	*	128	296507080	HEX NUT, 1/2-13NC, GRADE 5, ZINC PLATED	5 lbmass
*	2	1	A18441	DISCHARGE CHUTE (INCLUDES HARDWARE)	127 lbmass
*	3	1	A22987	WATER OVERFLOW FLUME (INCLUDES HARDWARE)	379 lbmass
*	*	4	294741028	CAPSCREW, HEX HEAD, 5/8" X 1 3/4", NC, GRADE 5, ZINC PLATED	
*	*	4	296701000	WASHER, LOCK, 5/8", ZINC PLATED	
*	*	4	296507100	NUT, HEX, 5/8", NC, GRADE 5, ZINC PLATED	
	4	1	US35000366	ASSEMBLY, 44 IN X 32 FT SSFM CONDOR, 100% DRIVE 25 HP MOTOR, CONVEYOR SHAFTS W/ WHITE IRON WEAR SHOES	13494 lbmass
	5	1	B02865	INLET COVER, 44, 48, & 54 IN SF WASHER	132 lbmass
*	6	1	B10305	WASHER SUPPORTS (INCLUDES HARDWARE)	489 lbmass
*	*	12	294741632	CAPSCREW, HEX HEAD, 1" X 2", NC, GRADE 5, ZINC PLATED	9 lbmass
*	*	12	296701600	WASHER, LOCK, 1", ZINC PLATED	1 lbmass
*	*	12	296507160	NUT, HEX, 1", NC, GRADE 5, ZINC PLATED	4 lbmass
*	7	1	B10433	FEED BOX ASSEMBLY (INCLUDES HARDWARE)	250 lbmass
*	*	6	294740820	HEX BOLT, 1/2-13NC x 1.25" LG	
*	*	6	296700800	LOCK WASHER, 1/2", ZINC PLATED	
*	*	6	296507080	HEX NUT, 1/2-13NC, GRADE 5, ZINC PLATED	
	8	2	D16639	DECAL, 17.625" X 52.00" EIW LOGO	1 lbmass
	9	2	D43757	DECAL, CONDOR LOGO, MEDIUM	7 lbmass
*	10	1	D05928	WEIR, END, 44, SSFM WASHER (INCLUDES HARDWARE)	42 lbmass
*	11	11	294740820	HEX BOLT, 1/2-13NC x 1.25" LG	1 lbmass
*	12	11	296507080	NUT, HEX, 1/2", NC, GRADE 5, ZINC PLATED	0 lbmass
*	13	11	296700800	WASHER, LOCK, 0.5 IN, ZINC PLATED	0 lbmass
	14	1	D03180	NAME PLATE	1 lbmass
	15	2	297212003	SCREW, DRIVE, TYPE U, #12 X 1/2 IN ROUND HEAD DRIVE SCREW, ZINC	0 lbmass
	16	1	D38050	DECAL, KIT, EIW WASHERS	0 lbmass
	17	1	PIDP20219092	IDENTIFICATION PLATE, PROJECT ID 20219092	1 lbmass
	18	2	US50800152	DRIVE SCREW, #14-9 X 0.75 IN, TYPE U, ROUND HEAD, 18-8 SST	0 lbmass

\*= SHIPPED LOOSE



UNLESS OTHERWISE NOTED, TOLERANCES ON DIMENSIONS ARE:

WEIGHT: 16,460 LB

SCALE: 1 OF 1

VARIOUS

DRAWN BY: ISipley

CHECKED BY:

APPROVED BY:

1ST ISSUE DATE:

SHEET SIZE: D

DRAWING NUMBER: US35000367

REVISION:

THIS DRAWING IS THE PROPERTY OF MCLANAHAN CORPORATION AND SHALL NOT BE REPRODUCED OR COPIED IN ANY MANNER WITHOUT THE WRITTEN PERMISSION OF MCLANAHAN CORPORATION. ANY UNAUTHORIZED REPRODUCTION OR MISAPPROPRIATION OF THE INFORMATION SHALL BE AT THE REPRODUCER'S RISK AND MCLANAHAN CORPORATION SHALL NOT BE RESPONSIBLE FOR ANY AND ALL DAMAGES SUFFERED AS A RESULT OF THE REPRODUCTION.

THIRD ANGLE PROJECTION

CUSTOMER DRAWING

EIW EAGLE IRON WORKS