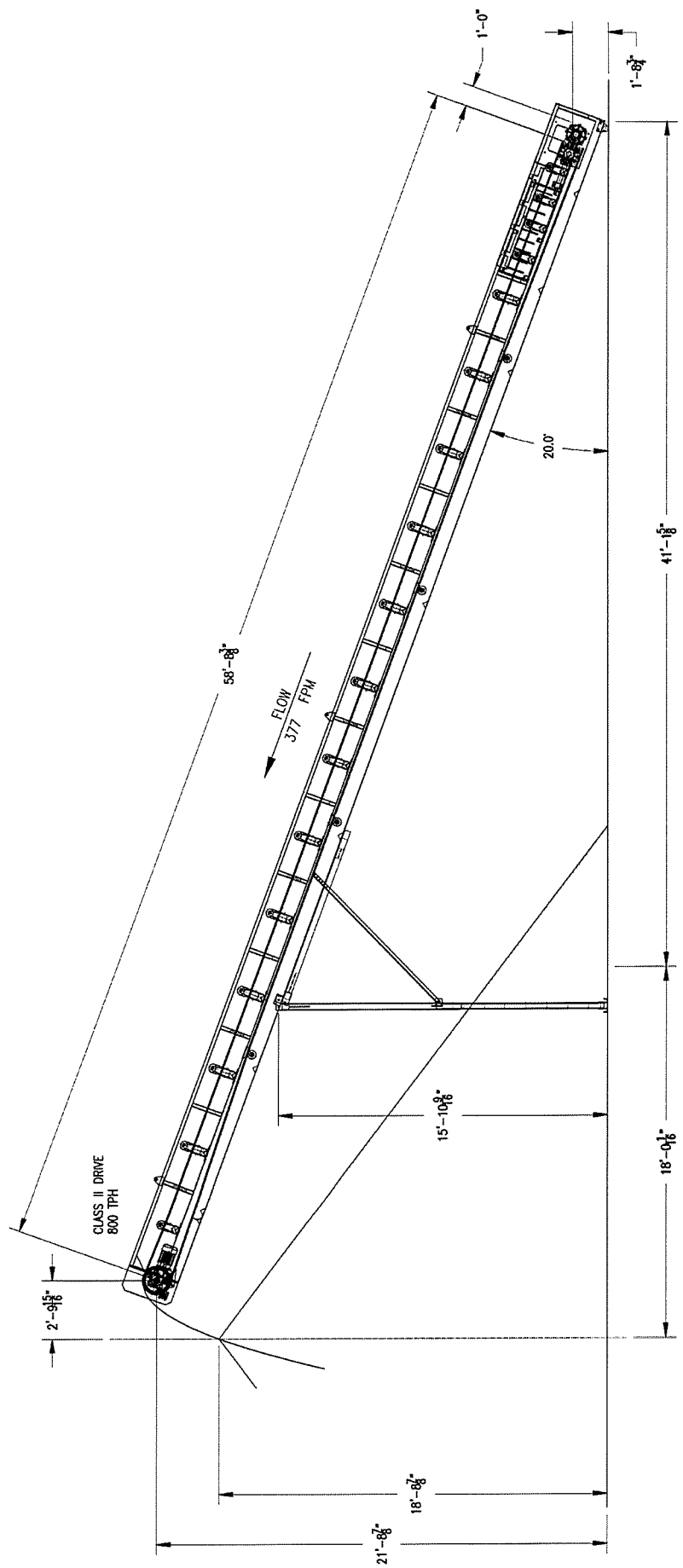


# BILL OF MATERIALS

TO SUP	FROM SUP	QTY	UNIT	DESCRIPTION	REMARKS	MATERIAL WT. (Lb)	WT. (Lb)
	1A			ADJUSTABLE FOLDING SUPPORT	190-0320		



APPROVED BY: \_\_\_\_\_  
DATE: \_\_\_\_\_

REVISION	MARK	DESCRIPTION	BY	DATE	CHK.	DATE	DRAWN	CHECKED	QURT	DATE	APPROVED	DATE	DESCRIPTION

DRIVE TAIL ROLLEY & FOR WIRE BEAR CLEARANCE	QURT	12-28-22	DRAIN	QURT	12-28-22	APPROVED	APPROVED
---	------	----------	-------	------	----------	----------	----------

SCALE: 3/16" = 1'-0"	190-158	APPROVED	190-0320
DRAWING NO.	190-0320		
SHEET NO.	1	OF 2	

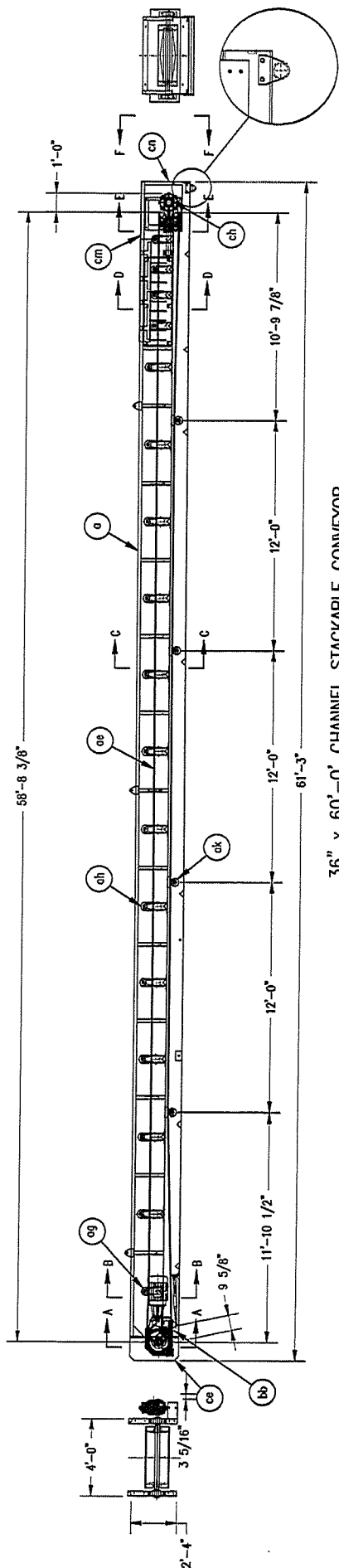
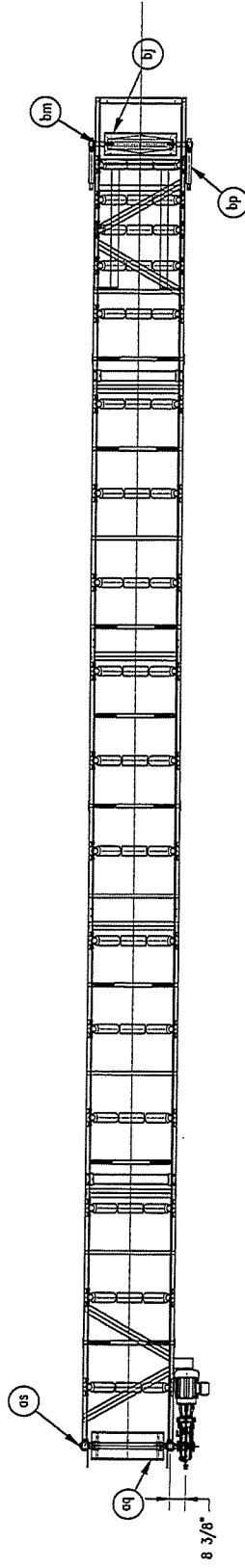
**TRANSCO NORTHWEST INC**  
 10000 100th Street, NW  
 Everett, WA 98203  
 This drawing is the property of Transco Northwest, Inc. and is to be used only for the project and location specified. It is not to be used for any other project or location without the written consent of Transco Northwest, Inc. All rights reserved.

ADJUSTABLE FOLDING  
 SUPPORT FOR  
 STACKABLES

**BILL OF MATERIALS**

QTY	SHIP MARK	ASST. MARK	DESCRIPTION	REMARKS	MATL. QTY.	WT. (LB.)	VT. (CU. FT.)
1A			36" x 60'-0" CHANNEL STACKABLE CONV.	105-0205			

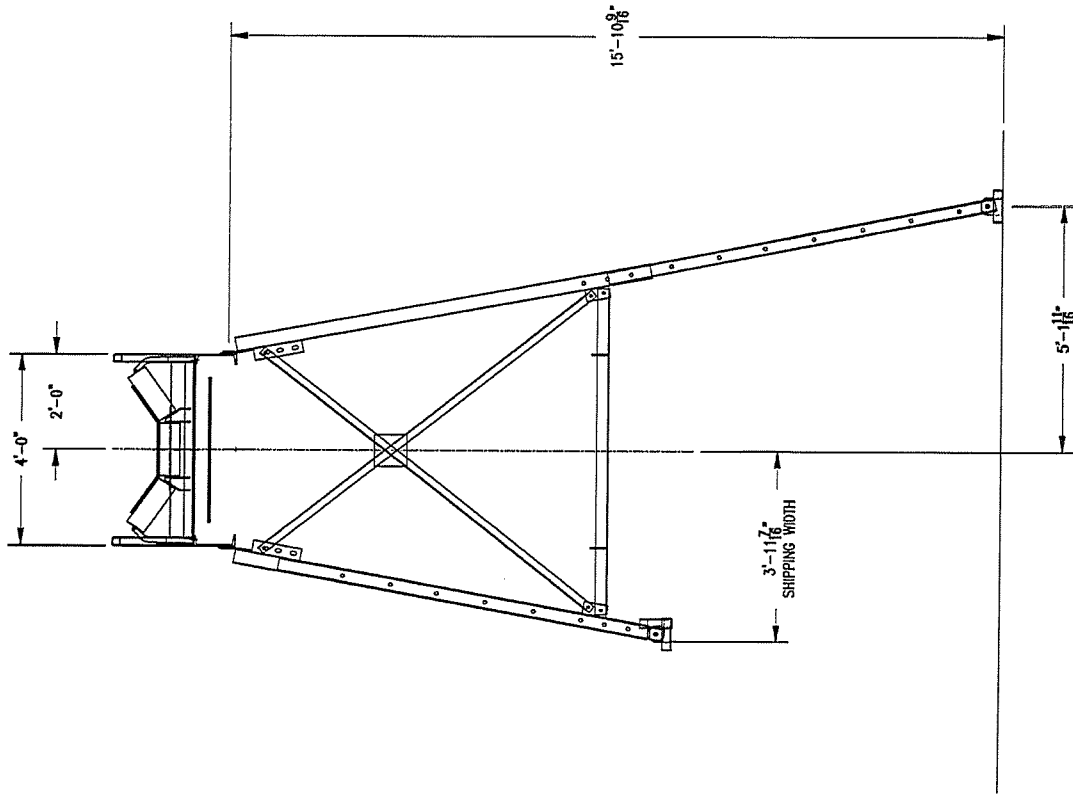
1750 MATES RPM = 97.82 INPUT RPM | PULLEY OD = 97.82 OUTPUT RPM x 3.86 FT/RX. = 377.58 FPM  
 1750 PULLEY RATIO = 97.82 OUTPUT RPM | PULLEY OD = 97.82 OUTPUT RPM x 3.86 FT/RX. = 377.58 FPM



36" x 60'-0" CHANNEL STACKABLE CONVEYOR

APPROVED BY: \_\_\_\_\_  
 DATE: \_\_\_\_\_

NO. 1	MOUSE TAIL PULLEY & FFR WIRE REAR CLEARANCE	QTY	3-9-22	DESIGN	12-27-22	SCALE: 3/16"=1'-0"
				DRAWN		FRAMING NO. 105-0205
				APPROVED		SHEET NO. 1 of 4
				DATE		
				BY		
				DESCRIPTION		
<p><b>TRANSCO NORTHWEST, INC.</b>                  404-10th Ave., Seattle, WA 98101                  TRANSCO NORTHWEST, INC. is a subsidiary of Transco Industries, Inc. and is not responsible for the design or construction of any equipment without the express written consent of Transco Industries, Inc. and its subsidiaries. All equipment is designed and manufactured by Transco Industries, Inc. and its subsidiaries.</p>						



APPROVED BY: \_\_\_\_\_  
 DATE: \_\_\_\_\_

SCALE: 3/8"=1'-0"  
 DRAWING NO. 130-0320  
 SHEET NO. 2 of 2

PRELIM [ ] FOR APPROVAL [ ] APPROVED [ ]

**TRANSCO NORTHWEST, INC.**  
 4000 1st Ave. S.W. Seattle, WA 98148  
 (206) 461-1000  
 This drawing is the property of Transco Northwest, Inc. and is not to be reproduced, stored in a retrieval system, or transmitted in any form or by any means, electronic, mechanical, photocopying, recording, or by any information storage and retrieval system, without the prior written permission of Transco Northwest, Inc. All rights reserved.

**ADJUSTABLE FOLDING  
 SUPPORT FOR  
 STACKABLES**

DATE	BY	CHKD.	DATE
12-29-22			

REV.	DATE	BY	CHKD.	DATE

NO.	DESCRIPTION